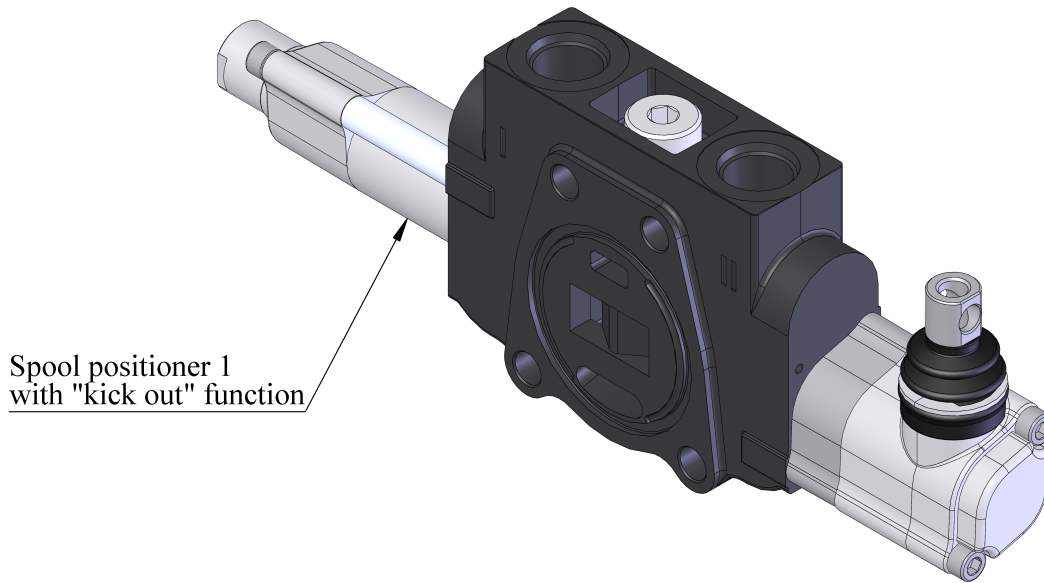


## NEW KICK OUT KITS (spool and spool positioners) for ZC70



This new kits allows at given pressure the detent to be released. It is available for different detents and spools which can be find below.

Technical specification		
Flow rate	l/min [gpm]	90 [24]
Max. pressure on A&B	bar [psi]	300 [4350]
Leakage (A,B to T) at 100 bar [1450 psi] and 46 cSt	cm <sup>3</sup> /min [in <sup>3</sup> /min]	6 [0.37]
Min. adjustable release	bar [psi]	80 [1100]

All available spools and spool positioners  
Order codeds are the same as for individual section: ZC70/PAk31/GKZ1

